



METRA CLARK

Refrigeration & Air-Conditioning Wholesale

DYNAPACK HERMETIC



Catalogue

OUR MISSION AND CORE VALUES

Support our customers with friendly, skillful, and reliable expertise. Deliver refrigeration and air-conditioning products with the highest quality in the most efficient manner.

Metraclark conducts business as follows:



Devoted to honourable and ethical business practices.



Committed to customer support and service.



Dedicated to employee development.



Committed to continuous product development with the goal of reducing environmental impact.



Dedicated to building and maintain customer and supplier relationships.



Devoted to supplying cost effective food preservation and comfort cooling products available throughout Southern Africa.

QUALIFIED ENGINEERS CONTINUOUS DEVELOPMENT
EXPERIENCED QUALITY INTERNATIONAL ISO : 9001
LOCAL MANUFACTURING LATEST PRODUCTS
RELIABILITY BESPOKE
INNOVATION **DYNAMIC TECHNOLOGY**
BESPOKE ENERGY SAVING QUALIFIED ENGINEERS
TECHNOLOGY LARGEST SALES NETWORK IN AFRICA
COST EFFECTIVE ISO : 9001 CUSTOMER SERVICE

TABLE OF CONTENTS

INTRODUCTION -1-

NOMENCLATURE -2-

DANFOSS HERMETIC COMPRESSOR

HIGH AMBIENT MEDIUM TEMP -3-

MEDIUM TEMPERATURE -5-

HIGH AMBIENT LOW TEMP -7-

LOW TEMPERATURE -9-

TECUMSEH HERMETIC COMPRESSOR

HIGH AMBIENT MEDIUM TEMP -11-

MEDIUM TEMPERATURE -13-

HIGH AMBIENT LOW TEMP -15-

LOW TEMPERATURE -17-

INSTALLATION GUIDELINE DRAWINGS -27-

DIMENSIONAL DRAWINGS -29-

COMMENTS

The DynaPack range of horizontal air-cooled condensing units have been designed as an outdoor all weather refrigeration unit. The mechanical design of the outdoor enclosure allows for on-site stacking with its unique load bearing design. Thus, reducing installation time, and costs as there is no need for additional carpentry and mounting brackets. The DynaPack range has been adapted to fit Copeland Semi-Hermetic, Copeland Scroll, Danfoss Reciprocating, and Tecumseh Reciprocating compressors. . The range includes more than **500** different model variants, with one fan condenser modules up to six fan condenser modules, suited for low-, medium-, and high temperature applications. Therefore, the DynaPack range is a highly compatible all weather range of condensing units suited for every outdoor commercial refrigeration application, under the Metraclark Dynamic brand. The DynaPack range is manufactured under strict ISO 9001:2015 quality management and all units are pressure tested before dispatching.

DESIGN

- DynaPack condensers and base frames utilize a modular design approach for stackability and ease of installation.
- Multi-refrigerant design options available: R134a, R404a, R507a, and R407F.
- Four condenser design configurations to suite all southern African ambient conditions.
- All sheet metal is fully powder coated for corrosion resistance.

OPTIONAL EXTRAS

- Condenser fan speed control.
- BluChem treatment for condenser coil.
- BPHE for hot water recovery.
- BPHE for chilled water applications.
- Stainless steel housing on request.

ENERGY EFFICIENCY OPTIONS

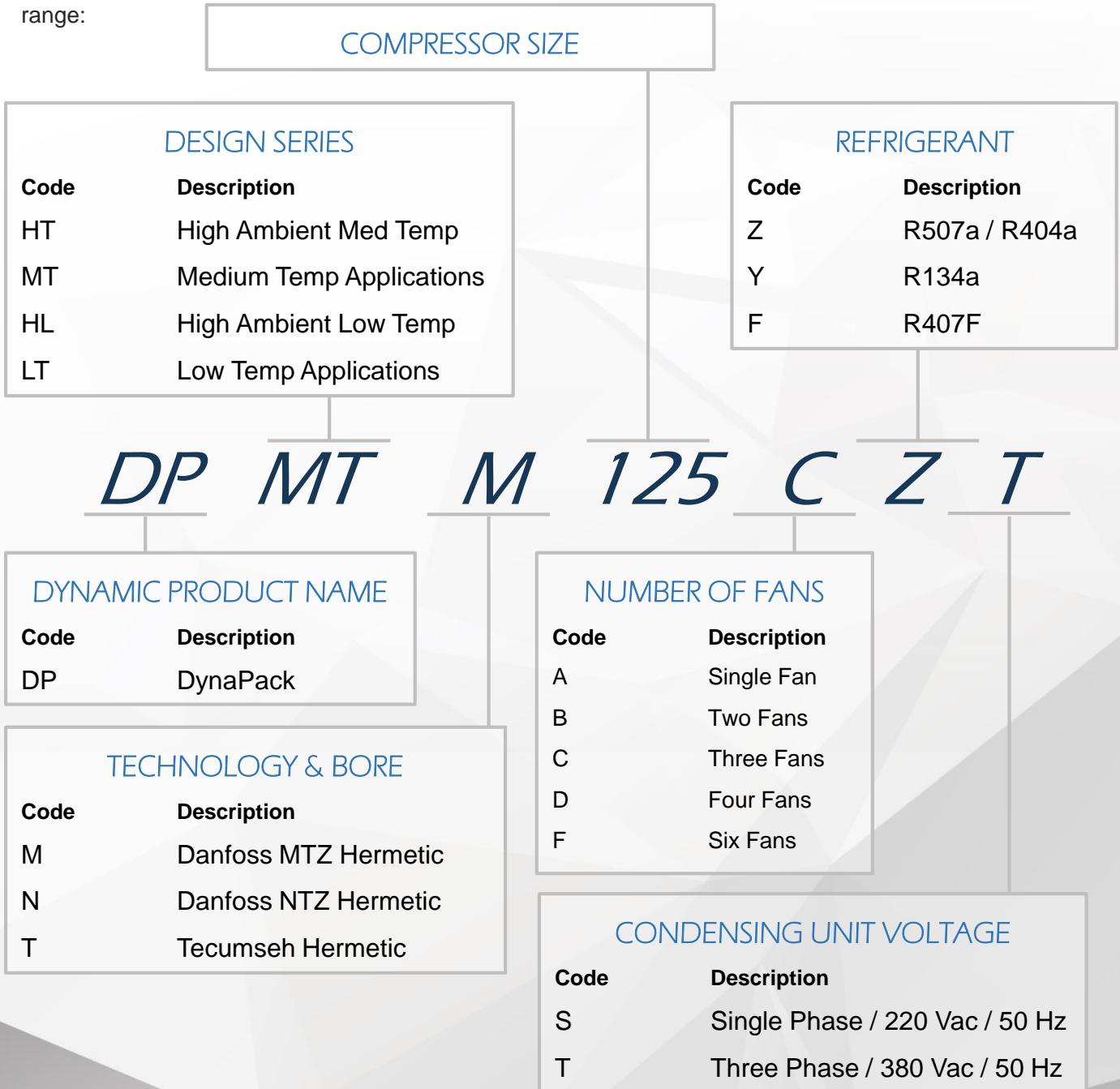
- Digital enhancement for energy saving: Digital and mechanical capacity unloading, VFD, and soft starters to reduce starting inrush current.

STANDARD COMPONENTS

- Powder coated outdoor enclosure.
- Copper tube and aluminium finned condenser coil block.
- EBM Axial fans with protective grill.
- Liquid receiver with outlet isolating valve.
- Suction and discharge vibration eliminators where applicable according to compressor.
- Oil separator with oil return line where applicable according to refrigerant flow rate.
- Suction accumulator on low temperature units.
- Liquid line with drier and sight glass.
- Replaceable liquid line filter drier on units with compressors of 20 HP and up.
- Individual Danfoss HP and LP switches, and pressure gauges.
- Danfoss HP Auto pressure switches for head pressure regulation on multiple fan units.
- Service valves where applicable according to compressor type.
- Thermistor motor protection module.
- Compressor crankcase heater.
- Compressor and condenser electrics.

NOMENCLATURE

The model designation contains the following technical information about the standard DynaPack range:



FOR MORE INFORMATION PLEASE CONTACT YOUR NEAREST METRA CLARK
OUTLET OR THE METRA CLARK ENGINEERING DEPARTMENT

HIGH AMB MED TEMP		COOLING CAPACITY [kW]					R404A/R507	
Model Reference	Ambient Temperature [°C]	Suction Temperature [°C]						
		-15	-10	-5	0	5	10	
DPHTM018AZT	34	1.44	1.96	2.58	3.33	4.21	5.24	
	36	1.36	1.85	2.45	3.17	4.02	5.00	
	38	1.28	1.75	2.32	3.01	3.82	4.77	
	40	1.20	1.65	2.20	2.85	3.62	4.53	
DPHTM022AZT	34	2.01	2.70	3.53	4.51	5.68	7.03	
	36	1.90	2.55	3.35	4.30	5.42	6.72	
	38	1.78	2.40	3.16	4.08	5.15	6.42	
	40	1.67	2.26	2.98	3.86	4.89	6.11	
DPHTM028AZT	34	2.64	3.52	4.56	5.78	7.19	8.83	
	36	2.49	3.33	4.34	5.51	6.88	8.46	
	38	2.34	3.15	4.11	5.25	6.57	8.09	
	40	2.19	2.97	3.89	4.98	6.25	7.73	
DPHTM032AZT	34	3.12	4.09	5.24	6.59	8.16	9.97	
	36	2.95	3.88	4.98	6.29	7.80	9.55	
	38	2.77	3.67	4.73	5.98	7.44	9.13	
	40	2.60	3.46	4.48	5.68	7.09	8.72	
DPHTM036BZT	34	3.69	4.79	6.07	7.57	9.30	11.29	
	36	3.50	4.55	5.79	7.23	8.90	10.82	
	38	3.31	4.32	5.51	6.89	8.50	10.34	
	40	3.13	4.09	5.22	6.55	8.09	9.87	
DPHTM040BZT	34	4.26	5.46	6.86	8.48	10.34	12.48	
	36	4.06	5.21	6.55	8.11	9.91	11.97	
	38	3.85	4.95	6.24	7.74	9.47	11.46	
	40	3.63	4.69	5.93	7.37	9.03	10.94	
DPHTM044BZT	34	4.18	5.50	7.08	8.94	11.12	13.65	
	36	3.96	5.23	6.75	8.55	10.65	13.10	
	38	3.74	4.96	6.42	8.15	10.18	12.55	
	40	3.52	4.69	6.09	7.75	9.71	11.99	
DPHTM050BZT	34	4.88	6.42	8.27	10.47	13.04	16.03	
	36	4.62	6.09	7.86	9.97	12.44	15.33	
	38	4.35	5.76	7.45	9.47	11.85	14.63	
	40	4.09	5.43	7.05	8.98	11.26	13.93	
DPHTM056BZT	34	5.20	6.88	8.91	11.32	14.15	17.46	
	36	4.93	6.54	8.48	10.80	13.53	16.72	
	38	4.65	6.20	8.06	10.29	12.92	15.99	
	40	4.39	5.86	7.64	9.78	12.31	15.27	
DPHTM064BZT	34	6.23	8.19	10.55	13.37	16.69	20.57	
	36	5.89	7.78	10.05	12.76	15.97	19.72	
	38	5.56	7.36	9.55	12.16	15.25	18.88	
	40	5.22	6.95	9.04	11.55	14.53	18.03	
DPHTM072BZT	34	7.00	9.15	11.73	14.79	18.36	22.51	
	36	6.63	8.69	11.17	14.11	17.57	21.58	
	38	6.26	8.24	10.62	13.45	16.78	20.65	
	40	5.90	7.79	10.07	12.79	15.99	19.73	
DPHTM080BZT	34	8.33	10.72	13.54	16.84	20.67	25.09	
	36	7.92	10.22	12.93	16.11	19.81	24.08	
	38	7.51	9.71	12.32	15.38	18.94	23.06	
	40	7.11	9.21	11.71	14.65	18.08	22.05	
DPHTM100CZT	34	9.63	12.58	16.07	20.16	24.92	30.41	
	36	9.14	11.97	15.32	19.25	23.83	29.11	
	38	8.65	11.36	14.58	18.34	22.73	27.81	
	40	8.15	10.75	13.82	17.43	21.64	26.50	
DPHTM125CZT	34	12.39	16.11	20.57	25.84	32.00	39.13	
	36	11.74	15.31	19.59	24.66	30.60	37.49	
	38	11.10	14.51	18.61	23.48	29.20	35.85	
	40	10.46	13.72	17.64	22.32	27.82	34.23	
DPHTM144DZT	34	14.74	18.95	23.93	29.77	36.55	44.36	
	36	14.00	18.04	22.83	28.45	34.99	42.54	
	38	13.25	17.12	21.72	27.13	33.43	40.72	
	40	12.51	16.21	20.61	25.80	31.87	38.90	
DPHTM160DZT	34	16.20	20.80	26.23	32.60	40.00	48.51	
	36	15.39	19.81	25.05	31.19	38.33	46.56	
	38	14.59	18.83	23.86	29.77	36.66	44.62	
	40	13.79	17.85	22.67	28.36	34.99	42.66	

DESIGN CRITERIA: Subcooling: 0 [K] / Suction superheat: 10 [K]

© Copyright Metraclark (PTY) Ltd.

*Cooling capacities listed are estimated values.

**Cooling capacities subject to change without notice.

***Oil separator for 4HP compressors and up.

****Pipe sizing design criteria of 10m pipe runs.

TECHNICAL SPECIFICATION

MODEL REFERENCE	CONDENSER MODEL	STUB CONNECTIONS		RECEIVER VOLUME [L]	DIMENSIONS			FLA [A]	STOCK CODE
		Liquid	Suction		L [m]	W [m]	H [m]		
DPHTM018AZT	DPH1131-400	3/8"	1/2"	7.1	0.750	1.000	0.974	5	REPM10016
DPHTM022AZT	DPH1141-400	3/8"	1/2"	7.1	0.750	1.000	0.974	6	REPM10056
DPHTM028AZT	DPH1141-500	3/8"	1/2"	7.1	0.750	1.000	0.974	9	REPM10106
DPHTM032AZT	DPH1151-500	3/8"	5/8"	7.1	0.750	1.000	0.585	9	REPM10156
DPHTM036BZT	DPH2132-400	3/8"	5/8"	16.9	1.500	1.000	0.974	10	REPM10206
DPHTM040BZT	DPH2132-400	1/2"	5/8"	16.9	1.500	1.000	0.974	11	REPM10256
DPHTM044BZT	DPH2132-400	1/2"	7/8"	16.9	1.500	1.000	0.974	10	REPM10306
DPHTM050BZT	DPH2132-500	1/2"	7/8"	16.9	1.500	1.000	0.974	14	REPM10356
DPHTM056BZT	DPH2132-500	1/2"	1 1/8"	16.9	1.500	1.000	0.974	15	REPM10406
DPHTM064BZT	DPH2142-500	1/2"	7/8"	16.9	1.500	1.000	0.974	17	REPM10456
DPHTM072BZT	DPH2142-500	1/2"	1 1/8"	16.9	1.500	1.000	0.974	18	REPM10506
DPHTM080BZT	DPH2162-500	5/8"	1 1/8"	16.9	1.500	1.000	0.974	21	REPM10556
DPHTM100CZT	DPH3143-500	5/8"	1 1/8"	26.7	2.250	1.000	0.974	26	REPM10606
DPHTM125CZT	DPH3163-500	5/8"	1 1/8"	26.7	2.250	1.000	0.974	31	REPM10656
DPHTM144DZT	DPH2254-500	5/8"	1 1/8"	33.8	1.500	1.000	1.859	33	REPM10706
DPHTM160DZT	DPH2264-500	5/8"	1 1/8"	33.8	1.500	1.000	1.859	39	REPM10756

ENGINEERING NOTES:

*DynaPack units are to be installed and operated outside, in a well ventilated area, with suggested minimum wall clearance.

**Anti-vibration pads are to be used under the feet of the unit.

***Contact the Metraclark Engineering department for alternative DynaPack configurations.

MEDIUM TEMPERATURE
COOLING CAPACITY [kW]
R404A/R507

Model Reference	Ambient Temperature [°C]	Suction Temperature [°C]					
		-15	-10	-5	0	5	10
DPMTM022AZT	30	2.13	2.85	3.71	4.73	5.94	7.34
	32	2.01	2.70	3.53	4.51	5.68	7.03
	34	1.90	2.55	3.35	4.30	5.42	6.72
	36	1.78	2.40	3.16	4.08	5.15	6.42
DPMTM028AZT	30	2.80	3.71	4.78	6.05	7.51	9.19
	32	2.64	3.52	4.56	5.78	7.19	8.83
	34	2.49	3.33	4.34	5.51	6.88	8.46
	36	2.34	3.15	4.11	5.25	6.57	8.09
DPMTM032AZT	30	3.29	4.30	5.49	6.89	8.51	10.38
	32	3.12	4.09	5.24	6.59	8.16	9.97
	34	2.95	3.88	4.98	6.29	7.80	9.55
	36	2.77	3.67	4.73	5.98	7.44	9.13
DPMTM036AZT	30	3.88	5.02	6.35	7.91	9.70	11.76
	32	3.69	4.79	6.07	7.57	9.30	11.29
	34	3.50	4.55	5.79	7.23	8.90	10.82
	36	3.31	4.32	5.51	6.89	8.50	10.34
DPMTM040AZT	30	4.47	5.71	7.16	8.84	10.77	12.98
	32	4.26	5.46	6.86	8.48	10.34	12.48
	34	4.06	5.21	6.55	8.11	9.91	11.97
	36	3.85	4.95	6.24	7.74	9.47	11.46
DPMTM044AZT	30	4.40	5.77	7.40	9.33	11.58	14.19
	32	4.18	5.50	7.08	8.94	11.12	13.65
	34	3.96	5.23	6.75	8.55	10.65	13.10
	36	3.74	4.96	6.42	8.15	10.18	12.55
DPMTM050BZT	30	5.15	6.76	8.69	10.97	13.65	16.75
	32	4.88	6.42	8.27	10.47	13.04	16.03
	34	4.62	6.09	7.86	9.97	12.44	15.33
	36	4.35	5.76	7.45	9.47	11.85	14.63
DPMTM056BZT	30	5.48	7.23	9.34	11.84	14.78	18.20
	32	5.20	6.88	8.91	11.32	14.15	17.46
	34	4.93	6.54	8.48	10.80	13.53	16.72
	36	4.65	6.20	8.06	10.29	12.92	15.99
DPMTM064BZT	30	6.56	8.60	11.06	13.97	17.41	21.41
	32	6.23	8.19	10.55	13.37	16.69	20.57
	34	5.89	7.78	10.05	12.76	15.97	19.72
	36	5.56	7.36	9.55	12.16	15.25	18.88
DPMTM072BZT	30	7.37	9.61	12.29	15.46	19.17	23.45
	32	7.00	9.15	11.73	14.79	18.36	22.51
	34	6.63	8.69	11.17	14.11	17.57	21.58
	36	6.26	8.24	10.62	13.45	16.78	20.65
DPMTM080BZT	30	8.75	11.22	14.15	17.57	21.54	26.10
	32	8.33	10.72	13.54	16.84	20.67	25.09
	34	7.92	10.22	12.93	16.11	19.81	24.08
	36	7.51	9.71	12.32	15.38	18.94	23.06
DPMTM100BZT	30	10.12	13.19	16.81	21.07	26.01	31.70
	32	9.63	12.58	16.07	20.16	24.92	30.41
	34	9.14	11.97	15.32	19.25	23.83	29.11
	36	8.65	11.36	14.58	18.34	22.73	27.81
DPMTM125CZT	30	13.05	16.93	21.57	27.04	33.42	40.79
	32	12.39	16.11	20.57	25.84	32.00	39.13
	34	11.74	15.31	19.59	24.66	30.60	37.49
	36	11.10	14.51	18.61	23.48	29.20	35.85
DPMTM144CZT	30	15.49	19.87	25.04	31.09	38.10	46.17
	32	14.74	18.95	23.93	29.77	36.55	44.36
	34	14.00	18.04	22.83	28.45	34.99	42.54
	36	13.25	17.12	21.72	27.13	33.43	40.72
DPMTM160CZT	30	17.00	21.78	27.42	34.01	41.66	50.44
	32	16.20	20.80	26.23	32.60	40.00	48.51
	34	15.39	19.81	25.05	31.19	38.33	46.56
	36	14.59	18.83	23.86	29.77	36.66	44.62

DESIGN CRITERIA: Subcooling: 0 [K] / Suction superheat: 10 [K]

© Copyright Metraclark (PTY) Ltd.

*Cooling capacities listed are estimated values.

**Cooling capacities subject to change without notice.

***Oil separator for 4HP compressors and up.

****Pipe sizing design criteria of 10m pipe runs.

TECHNICAL SPECIFICATION

MODEL REFERENCE	CONDENSER MODEL	STUB CONNECTIONS		RECEIVER VOLUME [L]	DIMENSIONS			FLA [A]	STOCK CODE
		Liquid	Suction		L [m]	W [m]	H [m]		
DPMTM022AZT	DPH1131-400	3/8"	1/2"	7.1	0.750	1.000	0.974	6	REPM20056
DPMTM028AZT	DPH1141-400	3/8"	1/2"	7.1	0.750	1.000	0.974	8	REPM20106
DPMTM032AZT	DPH1131-500	3/8"	5/8"	7.1	0.750	1.000	0.974	9	REPM20156
DPMTM036AZT	DPH1141-500	3/8"	5/8"	7.1	0.750	1.000	0.974	10	REPM20206
DPMTM040AZT	DPH1141-500	3/8"	5/8"	7.1	0.750	1.000	0.974	11	REPM20256
DPMTM044AZT	DPH1141-500	3/8"	7/8"	7.1	0.750	1.000	0.974	11	REPM20306
DPMTM050BZT	DPH2122-400	1/2"	7/8"	16.9	1.500	1.000	0.974	12	REPM20356
DPMTM056BZT	DPH2132-400	1/2"	7/8"	16.9	1.500	1.000	0.974	13	REPM20406
DPMTM064BZT	DPH2122-500	1/2"	7/8"	16.9	1.500	1.000	0.974	17	REPM20456
DPMTM072BZT	DPH2132-500	1/2"	7/8"	16.9	1.500	1.000	0.974	18	REPM20506
DPMTM080BZT	DPH2132-500	1/2"	1 1/8"	16.9	1.500	1.000	0.974	21	REPM20556
DPMTM100BZT	DPH2142-500	5/8"	1 1/8"	16.9	1.500	1.000	0.974	25	REPM20606
DPMTM125CZT	DPH3133-500	5/8"	1 1/8"	26.7	2.250	1.000	0.974	31	REPM20656
DPMTM144CZT	DPH3143-500	5/8"	1 1/8"	26.7	2.250	1.000	0.974	34	REPM20706
DPMTM160CZT	DPH3143-500	5/8"	1 1/8"	26.7	2.250	1.000	0.974	40	REPM20756

ENGINEERING NOTES:

*DynaPack units are to be installed and operated outside, in a well ventilated area, with suggested minimum wall clearance.

**Anti-vibration pads are to be used under the feet of the unit.

***Contact the Metraclark Engineering department for alternative DynaPack configurations.

HIGH AMB LOW TEMP		COOLING CAPACITY [kW]					R404A/R507	
Model Reference	Ambient Temperature	Suction Temperature [°C]						
	[°C]	-40	-35	-30	-25	-20	-15	
DPHLN068AZT	34	0.90	1.34	1.87	2.51	3.29	4.21	
	36	0.83	1.25	1.76	2.38	3.12	4.00	
	38	0.77	1.17	1.65	2.24	2.95	3.80	
	40	0.71	1.09	1.55	2.11	2.79	3.60	
DPHLN096BZT	34	0.95	1.48	2.17	3.05	4.17	5.54	
	36	0.86	1.35	2.01	2.86	3.93	5.26	
	38	0.77	1.23	1.85	2.66	3.69	4.96	
	40	0.68	1.11	1.70	2.46	3.44	4.67	
DPHLN108BZT	34	1.17	1.84	2.67	3.69	4.93	6.41	
	36	1.06	1.70	2.50	3.47	4.65	6.07	
	38	0.95	1.56	2.32	3.25	4.38	5.74	
	40	0.84	1.42	2.14	3.03	4.10	5.40	
DPHLN136BZT	34	1.64	2.44	3.45	4.70	6.22	8.05	
	36	1.50	2.27	3.24	4.43	5.89	7.66	
	38	1.37	2.11	3.03	4.17	5.57	7.26	
	40	1.25	1.94	2.82	3.90	5.24	6.87	
DPHLN215BZT	34	2.36	3.69	5.31	7.27	9.62	12.40	
	36	2.12	3.39	4.95	6.84	9.11	11.80	
	38	1.87	3.09	4.58	6.40	8.59	11.19	
	40	1.63	2.79	4.21	5.95	8.06	10.57	
DPHLN271CZT	34	3.61	5.32	7.42	9.98	13.06	16.72	
	36	3.33	4.97	6.98	9.44	12.40	15.93	
	38	3.06	4.62	6.54	8.89	11.73	15.12	
	40	2.78	4.27	6.10	8.34	11.05	14.31	

DESIGN CRITERIA: Subcooling: 0 [K] / Suction superheat: 10 [K]

TECHNICAL SPECIFICATION

MODEL REFERENCE	CONDENSER MODEL	STUB CONNECTIONS		RECEIVER VOLUME [L]	DIMENSIONS			FLA [A]	STOCK CODE
		Liquid	Suction		L [m]	W [m]	H [m]		
DPHLN068AZT	DPH1141-500	3/8"	5/8"	7.1	0.750	1.000	0.974	10	REPM40056
DPHLN096BZT	DPH2132-400	3/8"	7/8"	16.9	1.500	1.000	0.974	11	REPM40096
DPHLN108BZT	DPH2132-400	1/2"	7/8"	16.9	1.500	1.000	0.974	13	REPM40136
DPHLN136BZT	DPH2132-500	1/2"	1 1/8"	16.9	1.500	1.000	0.974	17	REPM40176
DPHLN215BZT	DPH2152-500	5/8"	1 1/8"	16.9	1.500	1.000	0.974	25	REPM40216
DPHLN271CZT	DPH3143-500	5/8"	1 1/8"	26.7	2.250	1.000	0.974	31	REPM40256

ENGINEERING NOTES:

*DynaPack units are to be installed and operated outside, in a well ventilated area, with suggested minimum wall clearance.

**Anti-vibration pads are to be used under the feet of the unit.

***Contact the Metraclark Engineering department for alternative DynaPack configurations.

LOW TEMPERATURE		COOLING CAPACITY [kW]					R404A/R507	
Model Reference	Ambient Temperature	Suction Temperature [°C]						
	[°C]	-40	-35	-30	-25	-20	-15	
DPLTN068AZT	30	1.00	1.47	2.04	2.73	3.55	4.53	
	32	0.93	1.38	1.92	2.58	3.38	4.32	
	34	0.87	1.29	1.81	2.45	3.20	4.11	
	36	0.80	1.21	1.71	2.31	3.03	3.90	
DPLTN096AZT	30	1.10	1.67	2.40	3.35	4.52	5.97	
	32	1.00	1.54	2.25	3.15	4.29	5.69	
	34	0.91	1.42	2.09	2.96	4.05	5.40	
	36	0.81	1.29	1.93	2.76	3.81	5.11	
DPLTN108AZT	30	1.35	2.06	2.94	4.03	5.34	6.91	
	32	1.23	1.91	2.76	3.81	5.07	6.58	
	34	1.12	1.77	2.58	3.58	4.79	6.24	
	36	1.01	1.63	2.41	3.36	4.52	5.91	
DPLTN136AZT	30	1.84	2.70	3.77	5.09	6.70	8.63	
	32	1.71	2.53	3.56	4.83	6.38	8.24	
	34	1.57	2.36	3.34	4.56	6.05	7.85	
	36	1.44	2.19	3.13	4.30	5.73	7.46	
DPLTN215BZT	30	2.73	4.13	5.84	7.90	10.37	13.28	
	32	2.49	3.84	5.49	7.48	9.87	12.70	
	34	2.24	3.54	5.13	7.05	9.36	12.11	
	36	1.99	3.24	4.76	6.62	8.85	11.50	
DPLTN271BZT	30	4.02	5.84	8.07	10.78	14.03	17.90	
	32	3.75	5.49	7.64	10.25	13.39	17.12	
	34	3.47	5.14	7.20	9.71	12.73	16.33	
	36	3.19	4.79	6.76	9.16	12.06	15.53	

DESIGN CRITERIA: Subcooling: 0 [K] / Suction superheat: 10 [K]

TECHNICAL SPECIFICATION

MODEL REFERENCE	CONDENSER MODEL	STUB CONNECTIONS		RECEIVER VOLUME [L]	DIMENSIONS			FLA [A]	STOCK CODE
		Liquid	Suction		L [m]	W [m]	H [m]		
DPLTN068AZT	DPH1121-400	3/8"	5/8"	7.1	0.750	1.000	0.974	9	REPM30056
DPLTN096AZT	DPH1131-400	3/8"	7/8"	7.1	0.750	1.000	0.974	11	REPM30106
DPLTN108AZT	DPH1141-400	3/8"	7/8"	7.1	0.750	1.000	0.974	13	REPM30156
DPLTN136AZT	DPH1131-500	3/8"	1 1/8"	7.1	0.750	1.000	0.974	16	REPM30206
DPLTN215BZT	DPH2132-400	3/8"	1 1/8"	16.9	1.500	1.000	0.974	23	REPM30256
DPLTN271BZT	DPH2132-500	1/2"	1 1/8"	16.9	1.500	1.000	0.974	30	REPM30306

ENGINEERING NOTES:

*DynaPack units are to be installed and operated outside, in a well ventilated area, with suggested minimum wall clearance.

**Anti-vibration pads are to be used under the feet of the unit.

***Contact the Metraclark Engineering department for alternative DynaPack configurations.



HIGH AMB MED TEMP		COOLING CAPACITY [kW]					R404A/R507	
Model Reference	Ambient Temperature [°C]	Suction Temperature [°C]						
		-15	-10	-5	0	5	10	
DPHTT4517AZT	34	1.65	2.11	2.62	3.21	3.87	4.62	
	36	1.56	2.01	2.51	3.07	3.70	4.42	
	38	1.48	1.91	2.39	2.93	3.53	4.22	
	40	1.39	1.80	2.27	2.78	3.37	4.03	
DPHTT4519AZT	34	2.17	2.72	3.35	4.05	4.85	5.75	
	36	2.07	2.61	3.21	3.88	4.65	5.51	
	38	1.97	2.49	3.06	3.71	4.45	5.28	
	40	1.86	2.37	2.92	3.54	4.25	5.04	
DPHTT4522AZT	34	2.01	2.69	3.47	4.36	5.39	6.56	
	36	1.89	2.54	3.29	4.15	5.14	6.26	
	38	1.76	2.39	3.11	3.94	4.88	5.96	
	40	1.64	2.24	2.93	3.72	4.63	5.66	
DPHTT4524AZT	34	2.37	3.13	3.98	4.94	6.02	7.21	
	36	2.23	2.97	3.80	4.72	5.76	6.91	
	38	2.09	2.81	3.61	4.50	5.50	6.61	
	40	1.95	2.64	3.42	4.28	5.24	6.30	
DPHTT4531AZT	34	3.14	4.07	5.11	6.28	7.61	9.11	
	36	2.97	3.87	4.87	6.00	7.28	8.73	
	38	2.79	3.66	4.64	5.73	6.96	8.35	
	40	2.61	3.46	4.40	5.45	6.63	7.96	
DPHTT4540BZT	34	4.15	5.30	6.58	8.03	9.67	11.53	
	36	3.94	5.05	6.29	7.69	9.27	11.05	
	38	3.72	4.80	6.00	7.34	8.86	10.57	
	40	3.51	4.55	5.71	7.00	8.45	10.09	
DPHTT4546BZT	34	4.17	5.62	7.32	9.30	11.59	14.23	
	36	3.90	5.29	6.92	8.82	11.02	13.55	
	38	3.63	4.97	6.53	8.34	10.45	12.87	
	40	3.37	4.65	6.13	7.87	9.88	12.20	
DPHTT4553BZT	34	4.79	6.40	8.28	10.47	13.01	15.94	
	36	4.48	6.04	7.84	9.93	12.36	15.16	
	38	4.17	5.67	7.40	9.40	11.71	14.39	
	40	3.87	5.31	6.96	8.87	11.07	13.62	
DPHTT4561BZT	34	5.55	7.30	9.32	11.65	14.34	17.45	
	36	5.22	6.91	8.85	11.08	13.66	16.63	
	38	4.89	6.52	8.38	10.51	12.97	15.81	
	40	4.56	6.13	7.91	9.95	12.30	15.00	
DPHTT4568BZT	34	6.71	8.69	10.95	13.54	16.52	19.91	
	36	6.35	8.27	10.45	12.96	15.83	19.11	
	38	6.00	7.85	9.96	12.37	15.14	18.29	
	40	5.64	7.43	9.46	11.79	14.44	17.48	
DPHTT4573BZT	34	7.31	9.38	11.78	14.55	17.74	21.39	
	36	6.93	8.93	11.23	13.90	16.96	20.48	
	38	6.54	8.46	10.68	13.23	16.18	19.56	
	40	6.16	8.00	10.12	12.57	15.38	18.62	
DPHTT4581BZT	34	8.16	10.36	12.85	15.69	18.93	22.60	
	36	7.76	9.89	12.30	15.04	18.14	21.68	
	38	7.37	9.43	11.75	14.38	17.36	20.75	
	40	6.97	8.96	11.19	13.71	16.57	19.81	

DESIGN CRITERIA: Subcooling: 0 [K] / Suction superheat: 10 [K]

TECHNICAL SPECIFICATION

MODEL REFERENCE	CONDENSER MODEL	STUB CONNECTIONS		RECEIVER VOLUME [L]	DIMENSIONS			FLA [A]	STOCK CODE
		Liquid	Suction		L [m]	W [m]	H [m]		
DPHTT4517AZT	DPH1131-400	3/8"	5/8"	7.1	0.750	1.000	0.974	3	REPT10056
DPHTT4519AZT	DPH1141-400	3/8"	5/8"	7.1	0.750	1.000	0.974	4	REPT10106
DPHTT4522AZT	DPH1141-400	3/8"	5/8"	7.1	0.750	1.000	0.974	5	REPT10156
DPHTT4524AZT	DPH1131-500	3/8"	5/8"	7.1	0.750	1.000	0.585	6	REPT10206
DPHTT4531AZT	DPH1151-500	3/8"	7/8"	7.1	0.750	1.000	0.974	7	REPT10256
DPHTT4540BZT	DPH2132-400	3/8"	7/8"	16.9	1.500	1.000	0.585	9	REPT10306
DPHTT4546BZT	DPH2122-500	1/2"	7/8"	16.9	1.500	1.000	0.585	11	REPT10356
DPHTT4553BZT	DPH2132-500	1/2"	7/8"	16.9	1.500	1.000	0.974	12	REPT10406
DPHTT4561BZT	DPH2132-500	1/2"	1 1/8"	16.9	1.500	1.000	0.974	10	REPT10456
DPHTT4568BZT	DPH2142-500	1/2"	1 1/8"	16.9	1.500	1.000	0.974	15	REPT10506
DPHTT4573BZT	DPH2142-500	1/2"	1 1/8"	R404a	1.500	1.000	0.974	16	REPT10556
DPHTT4581BZT	DPH2152-500	5/8"	1 1/8"	R404a	1.500	1.000	0.974	17	REPT10606

ENGINEERING NOTES:

*DynaPack units are to be installed and operated outside, in a well ventilated area, with suggested minimum wall clearance.

**Anti-vibration pads are to be used under the feet of the unit.

***Contact the Metraclark Engineering department for alternative DynaPack configurations.



MEDIUM TEMPERATURE		COOLING CAPACITY [kW]					R404A/R507	
Model Reference	Ambient Temperature [°C]	Suction Temperature [°C]						
		-15	-10	-5	0	5	10	
DPMTT4517AZT	30	1.73	2.21	2.74	3.35	4.03	4.81	
	32	1.65	2.11	2.62	3.21	3.87	4.62	
	34	1.56	2.01	2.51	3.07	3.70	4.42	
	36	1.48	1.91	2.39	2.93	3.53	4.22	
DPMTT4519AZT	30	2.27	2.84	3.49	4.22	5.05	5.99	
	32	2.17	2.72	3.35	4.05	4.85	5.75	
	34	2.07	2.61	3.21	3.88	4.65	5.51	
	36	1.97	2.49	3.06	3.71	4.45	5.28	
DPMTT4522AZT	30	2.14	2.84	3.64	4.57	5.64	6.85	
	32	2.01	2.69	3.47	4.36	5.39	6.56	
	34	1.89	2.54	3.29	4.15	5.14	6.26	
	36	1.76	2.39	3.11	3.94	4.88	5.96	
DPMTT4524AZT	30	2.50	3.29	4.17	5.16	6.27	7.51	
	32	2.37	3.13	3.98	4.94	6.02	7.21	
	34	2.23	2.97	3.80	4.72	5.76	6.91	
	36	2.09	2.81	3.61	4.50	5.50	6.61	
DPMTT4531AZT	30	3.32	4.27	5.34	6.55	7.93	9.48	
	32	3.14	4.07	5.11	6.28	7.61	9.11	
	34	2.97	3.87	4.87	6.00	7.28	8.73	
	36	2.79	3.66	4.64	5.73	6.96	8.35	
DPMTT4540AZT	30	4.36	5.54	6.87	8.37	10.08	12.01	
	32	4.15	5.30	6.58	8.03	9.67	11.53	
	34	3.94	5.05	6.29	7.69	9.27	11.05	
	36	3.72	4.80	6.00	7.34	8.86	10.57	
DPMTT4546AZT	30	4.44	5.95	7.72	9.78	12.17	14.91	
	32	4.17	5.62	7.32	9.30	11.59	14.23	
	34	3.90	5.29	6.92	8.82	11.02	13.55	
	36	3.63	4.97	6.53	8.34	10.45	12.87	
DPMTT4553AZT	30	5.09	6.77	8.73	11.01	13.66	16.72	
	32	4.79	6.40	8.28	10.47	13.01	15.94	
	34	4.48	6.04	7.84	9.93	12.36	15.16	
	36	4.17	5.67	7.40	9.40	11.71	14.39	
DPMTT4561BZT	30	5.88	7.69	9.79	12.22	15.03	18.28	
	32	5.55	7.30	9.32	11.65	14.34	17.45	
	34	5.22	6.91	8.85	11.08	13.66	16.63	
	36	4.89	6.52	8.38	10.51	12.97	15.81	
DPMTT4568BZT	30	7.07	9.10	11.44	14.13	17.20	20.72	
	32	6.71	8.69	10.95	13.54	16.52	19.91	
	34	6.35	8.27	10.45	12.96	15.83	19.11	
	36	6.00	7.85	9.96	12.37	15.14	18.29	
DPMTT4573BZT	30	7.69	9.84	12.32	15.20	18.51	22.30	
	32	7.31	9.38	11.78	14.55	17.74	21.39	
	34	6.93	8.93	11.23	13.90	16.96	20.48	
	36	6.54	8.46	10.68	13.23	16.18	19.56	
DPMTT4581BZT	30	8.55	10.81	13.40	16.34	19.70	23.52	
	32	8.16	10.36	12.85	15.69	18.93	22.60	
	34	7.76	9.89	12.30	15.04	18.14	21.68	
	36	7.37	9.43	11.75	14.38	17.36	20.75	

DESIGN CRITERIA: Subcooling: 0 [K] / Suction superheat: 10 [K]

TECHNICAL SPECIFICATION

MODEL REFERENCE	CONDENSER MODEL	STUB CONNECTIONS		RECEIVER VOLUME [L]	DIMENSIONS			FLA [A]	STOCK CODE
		Liquid	Suction		L [m]	W [m]	H [m]		
DPMTT4517AZT	DPH1121-400	3/8"	5/8"	7.1	0.750	1.000	0.974	3	REPT20056
DPMTT4519AZT	DPH1121-400	3/8"	5/8"	7.1	0.750	1.000	0.974	4	REPT20106
DPMTT4522AZT	DPH1121-400	3/8"	5/8"	7.1	0.750	1.000	0.974	5	REPT20156
DPMTT4524AZT	DPH1131-400	3/8"	5/8"	7.1	0.750	1.000	0.974	5	REPT20206
DPMTT4531AZT	DPH1141-400	3/8"	7/8"	7.1	0.750	1.000	0.974	6	REPT20256
DPMTT4540AZT	DPH1141-500	3/8"	7/8"	7.1	0.750	1.000	0.974	9	REPT20306
DPMTT4546AZT	DPH1151-500	3/8"	7/8"	7.1	0.750	1.000	0.974	9	REPT20356
DPMTT4553AZT	DPH2122-400	1/2"	7/8"	16.9	1.500	1.000	0.974	10	REPT20406
DPMTT4561BZT	DPH2132-400	1/2"	1 1/8"	16.9	1.500	1.000	0.974	11	REPT20456
DPMTT4568BZT	DPH2122-500	1/2"	1 1/8"	16.9	1.500	1.000	0.974	15	REPT20506
DPMTT4573BZT	DPH2132-500	1/2"	1 1/8"	16.9	1.500	1.000	0.974	16	REPT20556
DPMTT4581BZT	DPH2132-500	1/2"	1 1/8"	16.9	1.500	1.000	0.974	17	REPT20606

ENGINEERING NOTES:

*DynaPack units are to be installed and operated outside, in a well ventilated area, with suggested minimum wall clearance.

**Anti-vibration pads are to be used under the feet of the unit.

***Contact the Metraclark Engineering department for alternative DynaPack configurations.



HIGH AMB LOW TEMP		COOLING CAPACITY [kW]						R404A/R507
Model Reference	Ambient Temperature	Suction Temperature [°C]						
	[°C]	-40	-35	-30	-25	-20	-15	
DPHLT2446AZT	34	0.36	0.53	0.74	0.99	1.27	1.61	
	36	0.33	0.50	0.70	0.94	1.21	1.54	
	38	0.30	0.47	0.66	0.89	1.15	1.47	
	40	0.28	0.43	0.62	0.84	1.09	1.39	
DPHLT2464AZT	34	0.51	0.74	1.01	1.32	1.70	2.13	
	36	0.48	0.69	0.95	1.26	1.62	2.04	
	38	0.44	0.65	0.90	1.20	1.54	1.95	
	40	0.41	0.61	0.85	1.14	1.47	1.85	
DPHLT2480AZT	34	0.59	0.98	1.42	1.91	2.47	3.10	
	36	0.52	0.90	1.33	1.82	2.36	2.97	
	38	0.46	0.83	1.25	1.72	2.25	2.84	
	40	0.39	0.76	1.16	1.62	2.13	2.71	
DPHLT2511AZT	34	0.83	1.31	1.89	2.60	3.44	4.42	
	36	0.76	1.22	1.78	2.46	3.27	4.21	
	38	0.69	1.13	1.67	2.32	3.10	4.01	
	40	0.63	1.05	1.57	2.19	2.93	3.81	
DPHLT2513AZT	34	0.66	1.28	2.04	2.97	4.10	5.44	
	36	0.56	1.15	1.88	2.77	3.85	5.14	
	38	0.47	1.03	1.73	2.58	3.62	4.85	
	40	0.37	0.91	1.58	2.39	3.38	4.56	
DPHLT2516BZT	34	0.97	1.69	2.58	3.65	4.93	6.45	
	36	0.86	1.56	2.41	3.43	4.66	6.12	
	38	0.75	1.42	2.24	3.22	4.40	5.79	
	40	0.65	1.29	2.07	3.01	4.13	5.47	
DPHLT2522BZT	34	1.51	2.36	3.39	4.63	6.13	7.90	
	36	1.38	2.20	3.19	4.39	5.82	7.53	
	38	1.24	2.04	2.99	4.14	5.52	7.15	
	40	1.11	1.88	2.80	3.90	5.22	6.79	
DPHLT2525BZT	34	1.68	2.65	3.80	5.14	6.71	8.52	
	36	1.54	2.48	3.58	4.88	6.39	8.14	
	38	1.39	2.30	3.37	4.62	6.07	7.76	
	40	1.25	2.13	3.16	4.36	5.76	7.38	

DESIGN CRITERIA: Subcooling: 0 [K] / Suction superheat: 10 [K]

TECHNICAL SPECIFICATION

MODEL REFERENCE	CONDENSER MODEL	STUB CONNECTIONS		RECEIVER VOLUME [L]	DIMENSIONS			FLA [A]	STOCK CODE
		Liquid	Suction		L [m]	W [m]	H [m]		
DPHLT2446AZT	DPH1121-400	3/8"	1/2"	7.1	0.750	1.000	0.974	2	REPT40056
DPHLT2464AZT	DPH1141-400	3/8"	5/8"	7.1	0.750	1.000	0.974	3	REPT40106
DPHLT2480AZT	DPH1141-500	3/8"	5/8"	7.1	0.750	1.000	0.974	4	REPT40156
DPHLT2511AZT	DPH2132-400	1/2"	5/8"	16.9	1.500	1.000	0.974	5	REPT40206
DPHLT2513AZT	DPH2132-500	1/2"	7/8"	16.9	1.500	1.000	0.974	7	REPT40256
DPHLT2516BZT	DPH2132-500	1/2"	7/8"	16.9	1.500	1.000	0.974	8	REPT40306
DPHLT2522BZT	DPH2152-500	1/2"	1 1/8"	16.9	1.500	1.000	0.974	10	REPT40356
DPHLT2525BZT	DPH2162-500	5/8"	1 1/8"	16.9	1.500	1.000	0.974	10	REPT40406

ENGINEERING NOTES:

*DynaPack units are to be installed and operated outside, in a well ventilated area, with suggested minimum wall clearance.

**Anti-vibration pads are to be used under the feet of the unit.

***Contact the Metraclark Engineering department for alternative DynaPack configurations.



LOW TEMPERATURE		COOLING CAPACITY [kW]						R404A/R507
Model Reference	Ambient Temperature	Suction Temperature [°C]						
	[°C]	-40	-35	-30	-25	-20	-15	
DPLTT2511AZT	30	0.93	1.44	2.06	2.81	3.70	4.74	
	32	0.86	1.35	1.95	2.67	3.52	4.53	
	34	0.79	1.26	1.84	2.53	3.35	4.32	
	36	0.72	1.17	1.73	2.39	3.18	4.11	
DPLTT2513AZT	30	0.82	1.47	2.28	3.27	4.46	5.89	
	32	0.72	1.34	2.12	3.07	4.22	5.59	
	34	0.61	1.21	1.96	2.87	3.97	5.29	
	36	0.52	1.09	1.80	2.68	3.73	5.00	
DPLTT2516AZT	30	1.14	1.90	2.84	3.98	5.34	6.95	
	32	1.03	1.76	2.67	3.76	5.07	6.61	
	34	0.91	1.62	2.49	3.54	4.80	6.29	
	36	0.81	1.49	2.32	3.33	4.53	5.96	
DPLTT2522AZT	30	1.71	2.60	3.69	5.01	6.59	8.47	
	32	1.58	2.44	3.49	4.76	6.28	8.09	
	34	1.44	2.28	3.29	4.51	5.97	7.71	
	36	1.31	2.12	3.09	4.26	5.67	7.34	
DPLTT2525AZT	30	1.91	2.92	4.12	5.53	7.18	9.10	
	32	1.76	2.74	3.90	5.27	6.86	8.72	
	34	1.61	2.57	3.69	5.01	6.55	8.33	
	36	1.47	2.39	3.48	4.75	6.23	7.95	

DESIGN CRITERIA: Subcooling: 0 [K] / Suction superheat: 10 [K]

TECHNICAL SPECIFICATION

MODEL REFERENCE	CONDENSER MODEL	STUB CONNECTIONS		RECEIVER VOLUME [L]	DIMENSIONS			FLA [A]	STOCK CODE
		Liquid	Suction		L [m]	W [m]	H [m]		
DPLTT2511AZT	DPH1121-400	3/8"	5/8"	7.1	0.750	1.000	0.974	4	REPT30206
DPLTT2513AZT	DPH1131-400	3/8"	7/8"	7.1	0.750	1.000	0.974	5	REPT30256
DPLTT2516AZT	DPH1141-400	3/8"	7/8"	7.1	0.750	1.000	0.974	6	REPT30306
DPLTT2522AZT	DPH1131-500	3/8"	1 1/8"	7.1	0.750	1.000	0.974	8	REPT30356
DPLTT2525AZT	DPH1141-500	3/8"	1 1/8"	7.1	0.750	1.000	0.974	8	REPT30406

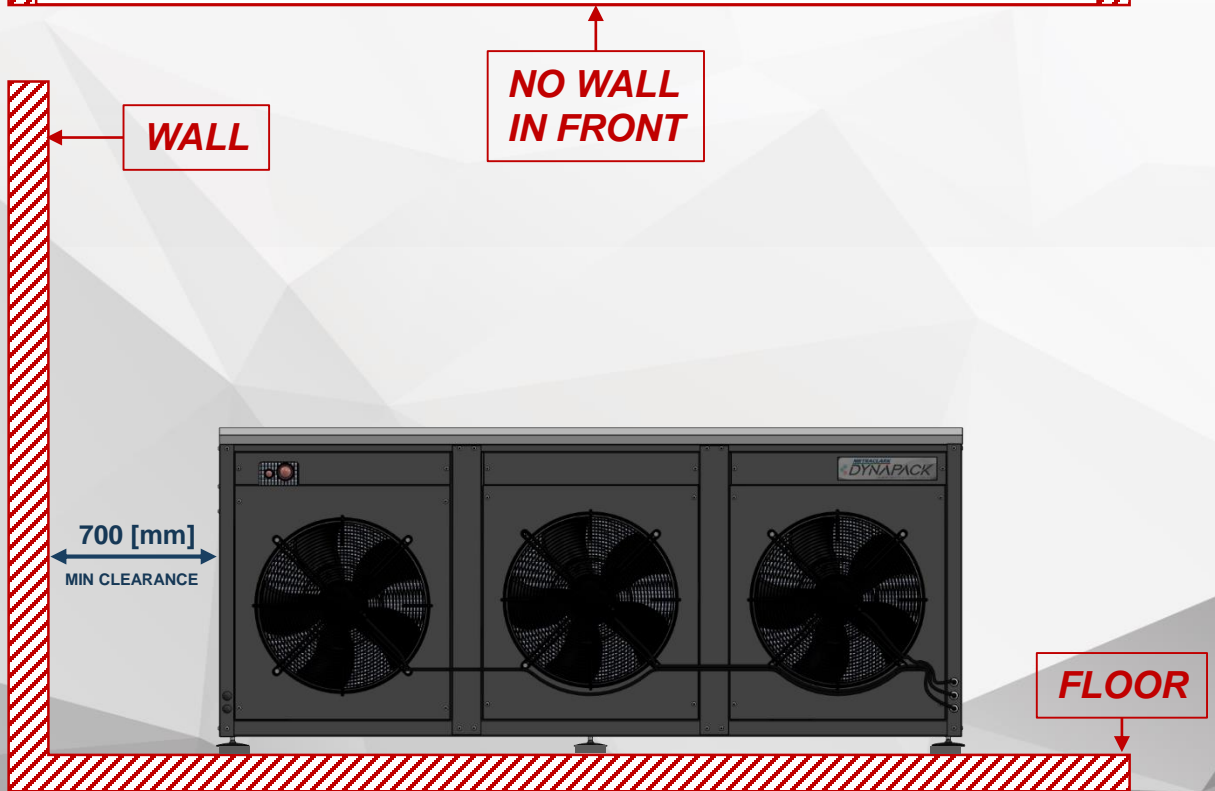
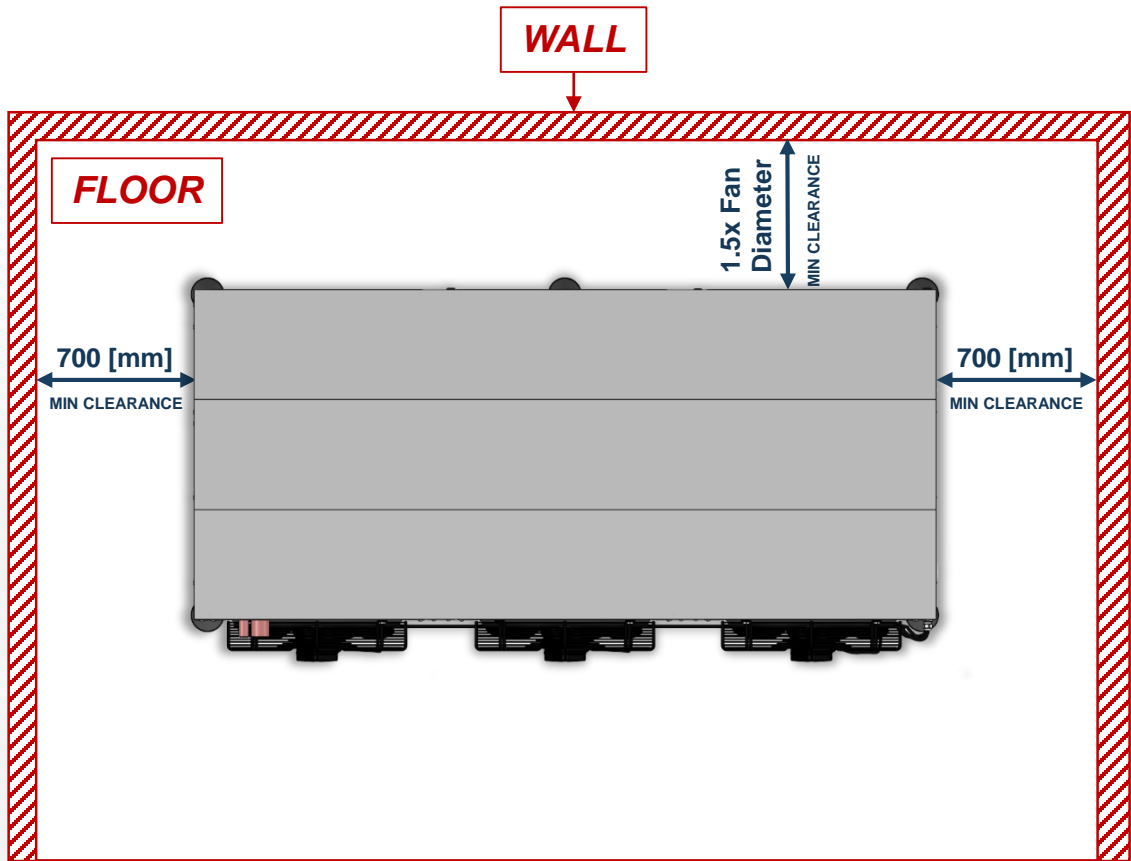
ENGINEERING NOTES:

*DynaPack units are to be installed and operated outside, in a well ventilated area, with suggested minimum wall clearance.

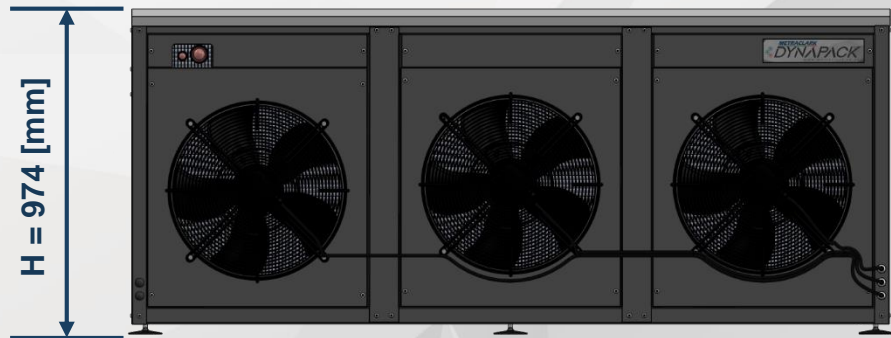
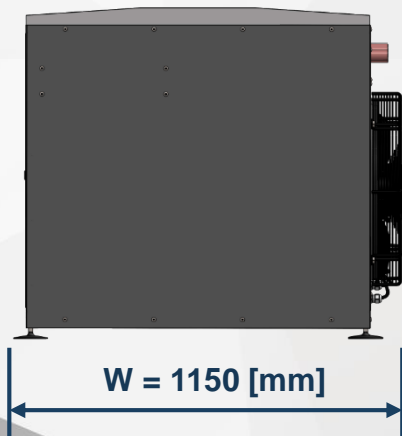
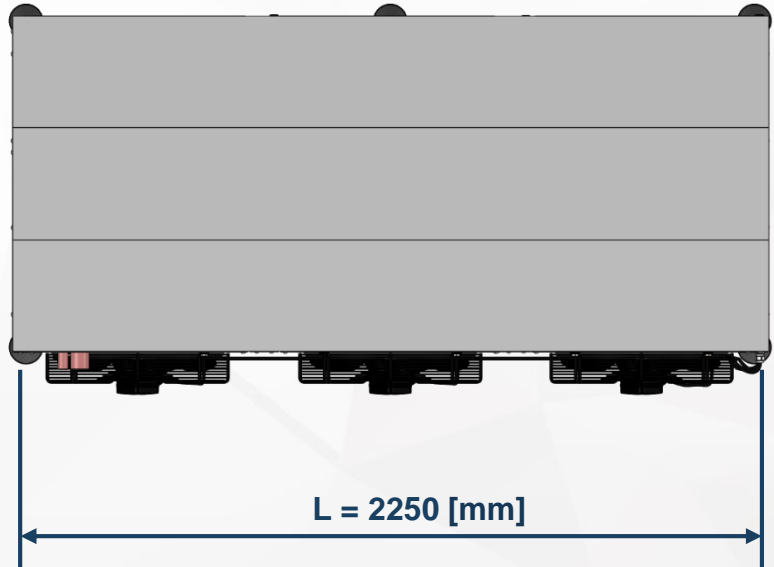
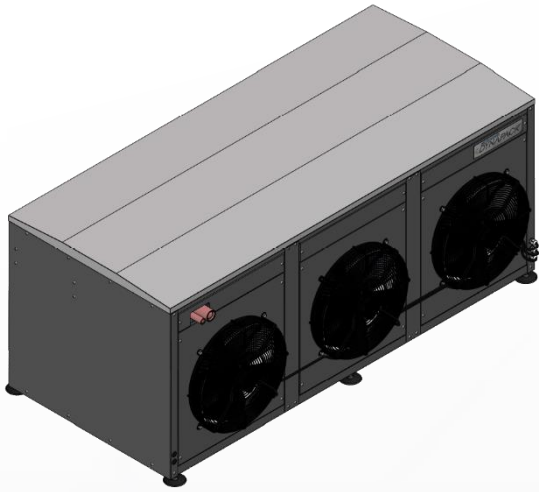
**Anti-vibration pads are to be used under the feet of the unit.

***Contact the Metraclark Engineering department for alternative DynaPack configurations.

INSTALLATION GUIDELINE DRAWINGS



DIMENSIONAL DRAWINGS



ENGINEERING NOTES:

*DynaPack unit illustrated is the DBHTM125CZT condensing unit and the dimensions are for the specified unit only, please refer to the technical specification pages with this catalogue for correct dimensions of the individual unit.



METRACLARK

Refrigeration & Air-Conditioning Wholesale